

Multi-layer Plate And Frame Filter

Product Description

Multi-layer plate and frame filter is a new type of filtration equipment, the machine parts are made of 304 or 316L high quality corrosion-resistant stainless steel material. This equipment is suitable for the liquid with lower viscosity and less residue below 50% concentration for closed filtration to achieve purification, sterilization, clarification and other requirements of fine filtration and semi-precise filtration.



Product Features:

1. strong corrosion resistance: stainless steel material has corrosion resistance, can be used for a long time in acid and alkali and other corrosive environments, the long-term stability of the equipment.
2. High filtration efficiency: the multi-layer plate and frame filter adopts a multi-layer filter design, which can effectively filter out tiny impurities and particles, and the quality of the product.
3. Easy operation: the stainless steel multi-layer plate and frame filter is easy to operate and maintain, and only requires regular cleaning and replacement of the filter mesh.
4. Wide applicability: stainless steel multi-layer plate and frame filter is applicable to the filtration of various liquids and gases, and can meet the needs of different industries.
5. Energy saving and environmental protection: the multi-layer plate and frame filter has the characteristics of energy saving and environmental protection, which can reduce energy consumption and emissions in the production process and reduce the impact on the environment.
6. It can effectively filter out impurities, foreign matter and particles, the safety and quality of the production process, but also to improve production efficiency and reduce production costs.

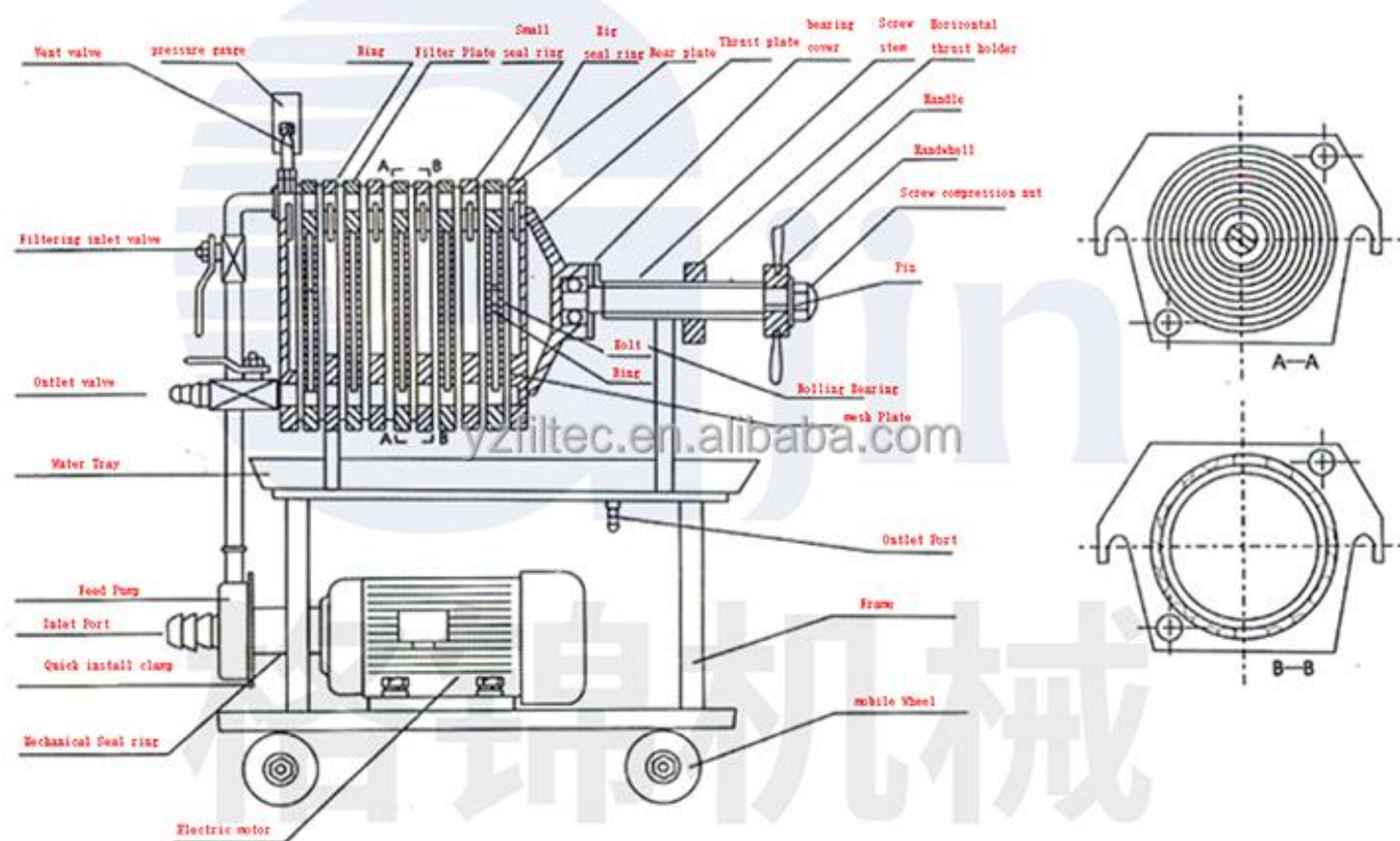
Application Industry:

Plate and frame filter is widely used in pharmaceutical, biochemical, food and beverage, water treatment, brewing, petroleum, electronic chemical, electroplating, printing and dyeing, environmental protection and other industries, and is the latest equipment for filtration, clarification, purification and sterilization of various liquids.

Parameter

Model	Layers	Filtration area(m ²)	Mesh size(μ m)	Pressure(Mpa)	Water flow(T/h)	Power(Kw)	Dimension(mm)	Inlet(mm)	Outlet(mm)
JYPF-100	10	0.078	0.1-10	0.3	0.8	0.37	600*300*600	19	19
JYPF-150	10	0.17	0.1-10	0.3	1.5	0.37	650*380*650	25	25
JYPF-200	10	0.314	0.1-10	0.3	2.0	0.37	650*400*700	25	25
JYPF-300	10	0.7	0.1-10	0.3	3.0	0.55	700*500*800	32	32
JYPF-400	10	1.25	0.1-10	0.3	5.0	0.75	900*600*1000	38	32
JYPF-400	16	2.0	0.1-10	0.3	8.0	0.75	1000*600*1000	38	38
JYPF-400	20	2.5	0.1-10	0.3	10	1.50	1100*600*1000	50	38
JYPF-400	24	3.0	0.1-10	0.3	12	2.20	1200*600*1000	50	38
JYPF-400	32	4.0	0.1-10	0.3	14	2.20	1320*600*1000	50	38

Note: For the filter press with more than 20 layers, there will be the double inlet and double outlet to increase the flow. Maximum it can be with 100 layers and pressed hydraulically.



Tel. +86 021-51863216 +86 13916593659

Email. junyifilter1@junyigl.com

Address: Shanghai China

Shanghai Junyi filtration equipment Co., LT