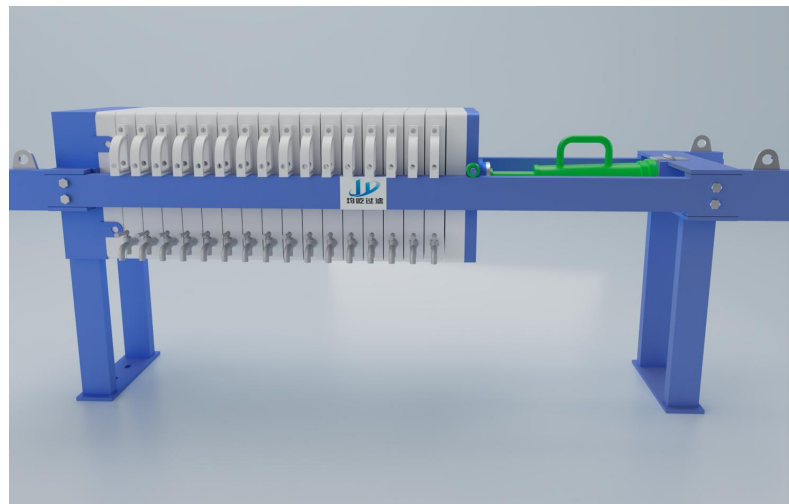


Manual jack pressing chamber filter press

Product Description

Manual jack pressing chamber filter press adopts screw jack as the pressing device, which has the features of simple structure, convenient operation, no need of power supply, economic and practical. It is generally used in filter presses with a filtration area of 1 to 40 m² for fluid filtration in laboratories or with a processing capacity of less than 0-3 m³ per day.



Product Features

A、 **Filtration pressure** < 0.5Mpa

B、 **Filtration temperature:** 45°C/ room temperature; 80°C/ high temperature; 100°C/ High temperature. The raw material ratio of different temperature production filter plates is not the same, and the thickness of filter plates is not the same.

C-1、 **Discharge method - open flow:** Faucets need to be installed below the left and right sides of each filter plate, and a matching sink. Open flow is used for liquids that are not recovered.

C-2、 **Liquid discharge method close flow:** Under the feed end of the filter press, there are two close flow outlet main pipes, which are connected with the liquid recovery tank. If the liquid needs to be recovered, or if the liquid is volatile, smelly, flammable and explosive, dark flow is used.

D-1、 **Selection of filter cloth material:** The pH of the liquid determines the material of the

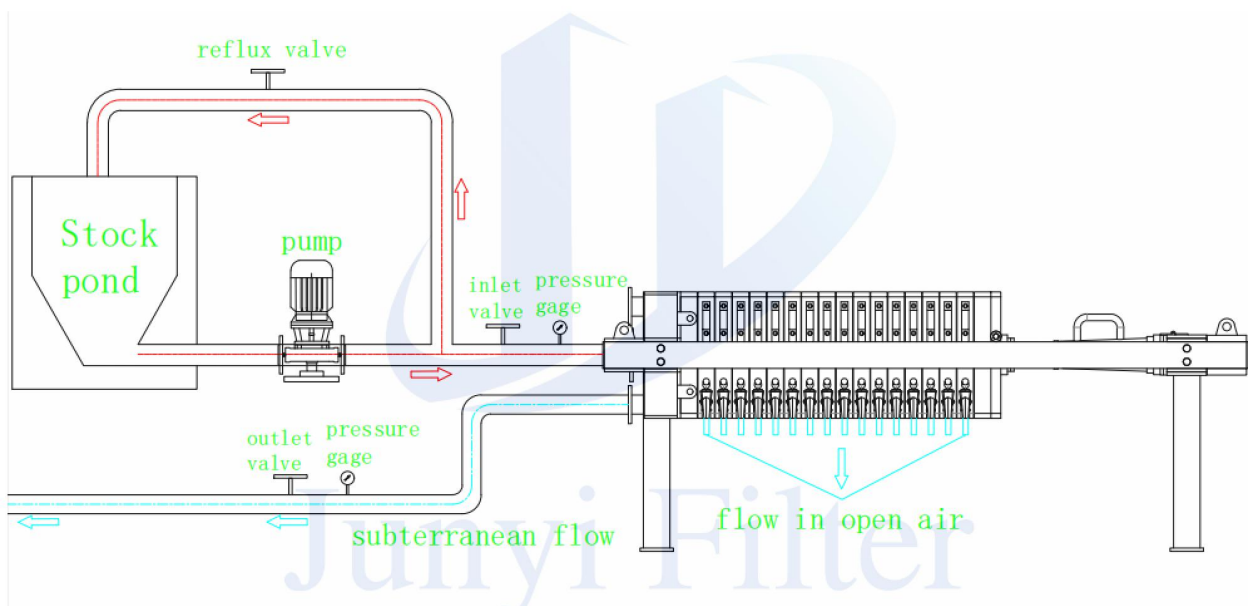
filter cloth. PH1-5 is acidic polyester filter cloth, PH8-14 is alkaline polypropylene filter cloth. The viscous liquid or solid is preferred to choose twill filter cloth, and the non-viscous liquid or solid is selected plain filter cloth.

D-2、 Selection of filter cloth mesh: The fluid is separated, and the corresponding mesh number is selected for different solid particle sizes. Filter cloth mesh range 100-1000 mesh. Micron to mesh conversion (1UM = 15,000 mesh---in theory).

E、 Rack surface treatment: PH value neutral or weak acid base; The surface of the filter press frame is sandblasted first, and then sprayed with primer and anti-corrosion paint. The PH value is strong acid or strong alkaline, the surface of the filter press frame is sandblasted, sprayed with primer, and the surface is wrapped with stainless steel or PP plate.

Liquid name	Solid-liquid ratio (%)	Specific gravity of solids	Material status	PH value	Solid particle size (mesh)
Temperature (°C)	Recovery of liquids/solids	Water content of filter cake	Working hours/day	Capacity/day	Whether the liquid evaporates or not

Feeding process



Application Industries

Petroleum, chemical, pharmaceutical, sugar, food, coal washing, oil, printing and dyeing, brewing, ceramics, mining metallurgy, sewage treatment and other fields.

Filter press ordering instructions

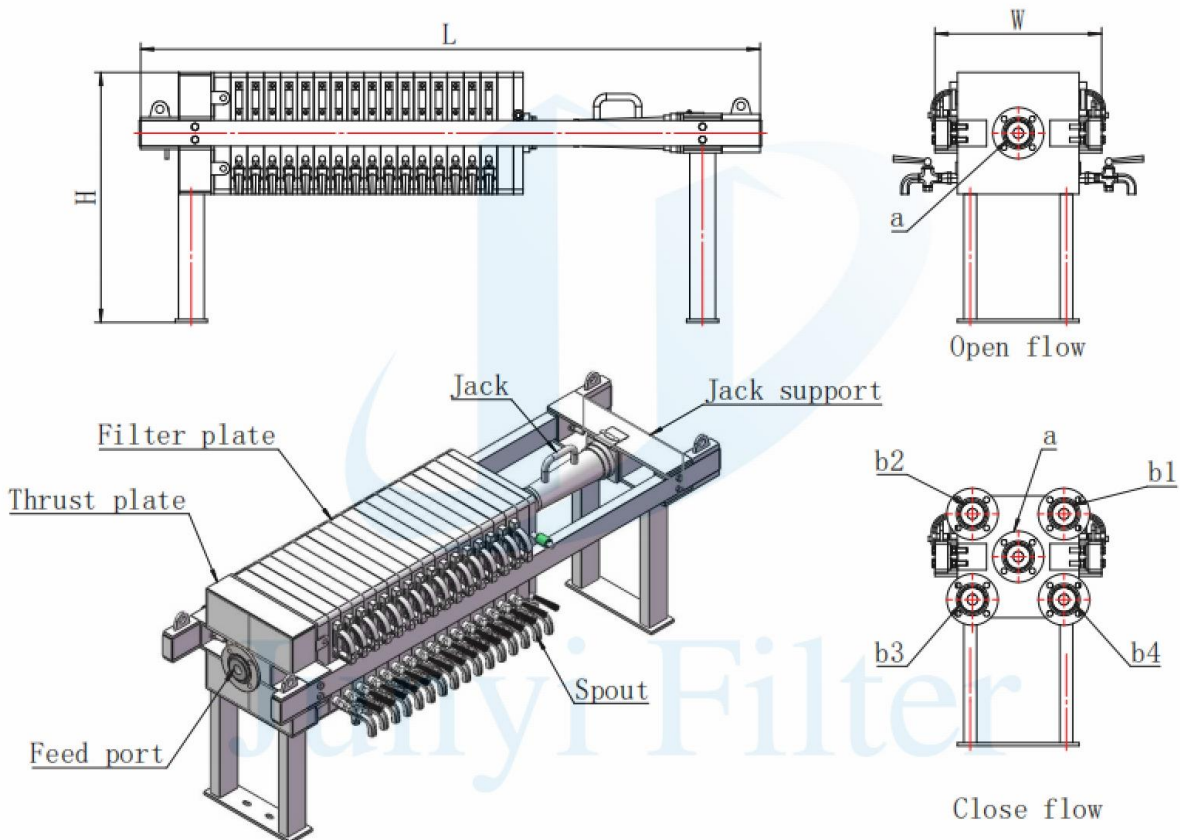
1. Refer to the filter press selection guide, filter press overview, specifications and models, select the model and supporting equipment according to the needs.

For example: Whether the filter cake is washed or not, whether the effluent is open or close, whether the rack is corrosion-resistant or not, the mode of operation, etc., must be specified in the contract.

1. According to the special needs of customers, our company can design and produce non-standard models or customized products.

3. The product pictures provided in this document are for reference only. In case of changes, we will not give any notice and the actual order will prevail.

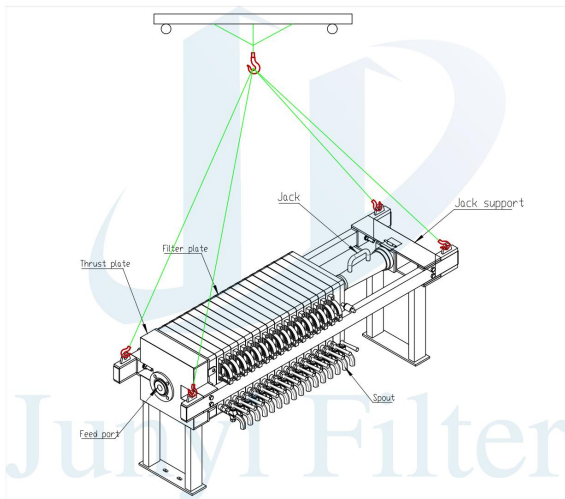
Dimension Drawing



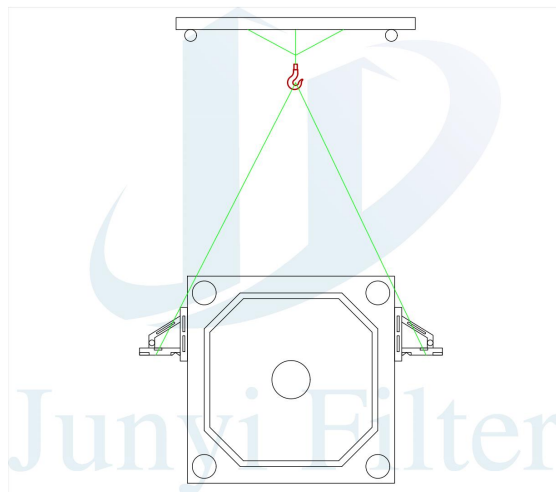
Technical parameter

Model	Filter area (m ²)	Plate Size (mm)	Chamber volume (L)	Plate Qty (pcs)	Weight (Kg)	Overall dimension (mm)			Inlet Size (a) (mm)	Outlet/close flow size (b) (mm)	Outlet/open flow size	
						Length (L)	Width (W)	Height (H)				
JYFPJ-1-380	1	380	15	4	430	1100	600	700	DN50	DN50	1/2	
JYFPJ-2-380	2	×	30	9	490	1390						
JYFPJ-3-380	3	380	45	14	510	1620						
JYFPJ-4-500	4	500	60	9	720	1730	800	900	DN50	DN50	1/2	
JYFPJ-8-500	8		×	120	19	820						2230
JYFPJ-10-500	10		×	150	24	870						2480
JYFPJ-12-500	12		500	180	29	920						2730
JYFPJ-16-500	16	700	240	36	990	3230	1100	1100	DN65	DN50	1/2	
JYFPJ-15-700	15		225	18	1150	2470						
JYFPJ-20-700	20	×	300	24	1250	2770	1100	1100	DN65	DN50	1/2	
JYFPJ-30-700	30	×	450	37	1600	3420						
JYFPJ-40-700	40	700	600	49	2100	4120						

Hoisting diagram of filter press



Filter board hoisting diagram



Welcome to inquiry !

Shanghai Junyi Filtration Equipment Co., Ltd.

Tel. +86 021-51863216

Phone: +8613916993659

Email: junyifilter@junyigl.com

Address: Shanghai China

Website: www.junyifilter.com