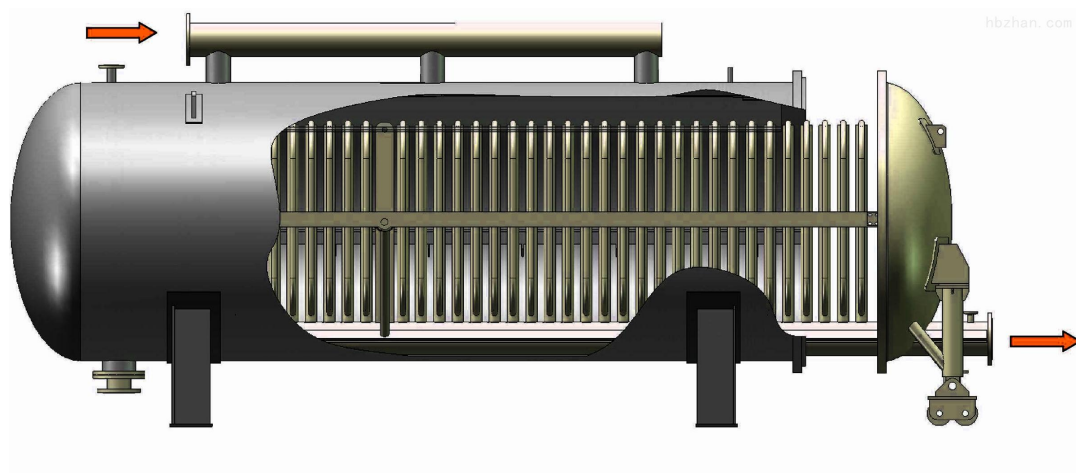


Product Description

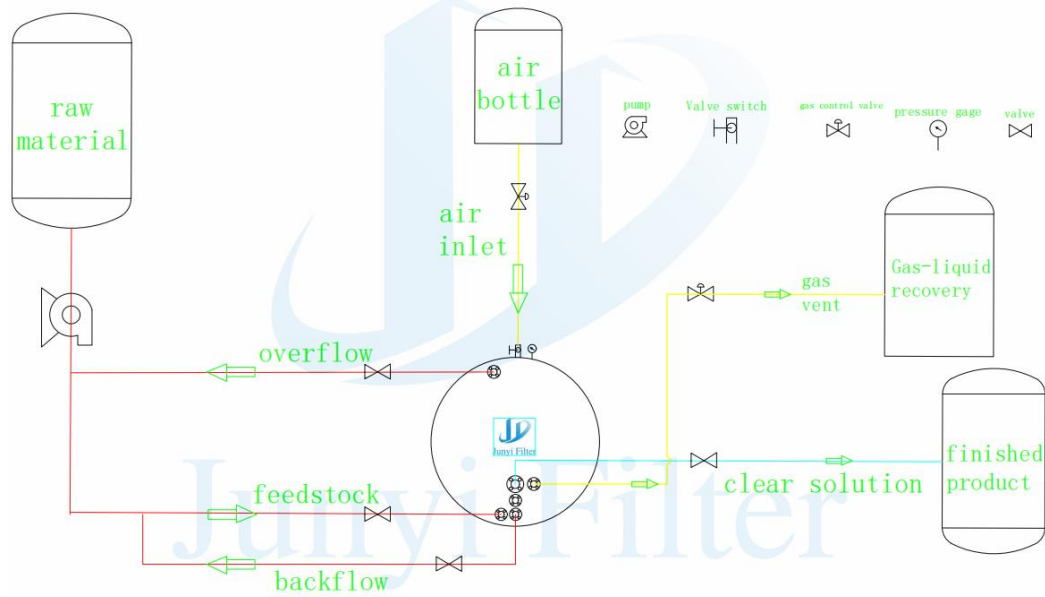
Horizontal Blade Filter is a kind of filtration equipment, which is mainly suitable for clarification filtration, crystallisation, decolourisation oil filtration in chemical, pharmaceutical and grease industries. It mainly solves the problems of cotton seed, rapeseed, castor and other machine-pressed oil in the oil and fat industry, such as filtering difficulties, not easy to discharge slag. In addition, the product consumes no filter paper or cloth and only a small amount of filter aid, resulting in low filtration costs.



Product Features

- 1 No filter cloth or filter paper is required for filtration, reducing the cost of filtration.
- 2 The whole process is closed operation, more environmentally friendly and no material loss.
- 3 The equipment adopts the method of vibration slag removal, which reduces the labor intensity of workers and can realize continuous operation.
- 4 Pneumatic valve slagging, reducing the labor intensity of workers.
- 5 The material press or activated carbon in the liquid is filtered by direct filtration or dewatering.
- 6 Blade filters can completely replace plate and frame filters and are the equipment of choice.
- 7 Unique design structure, small size; high filtration efficiency; good transparency and fineness of filtrate; no material loss.
- 8 The equipment is easy to operate, maintain and clean.

Feeding Process



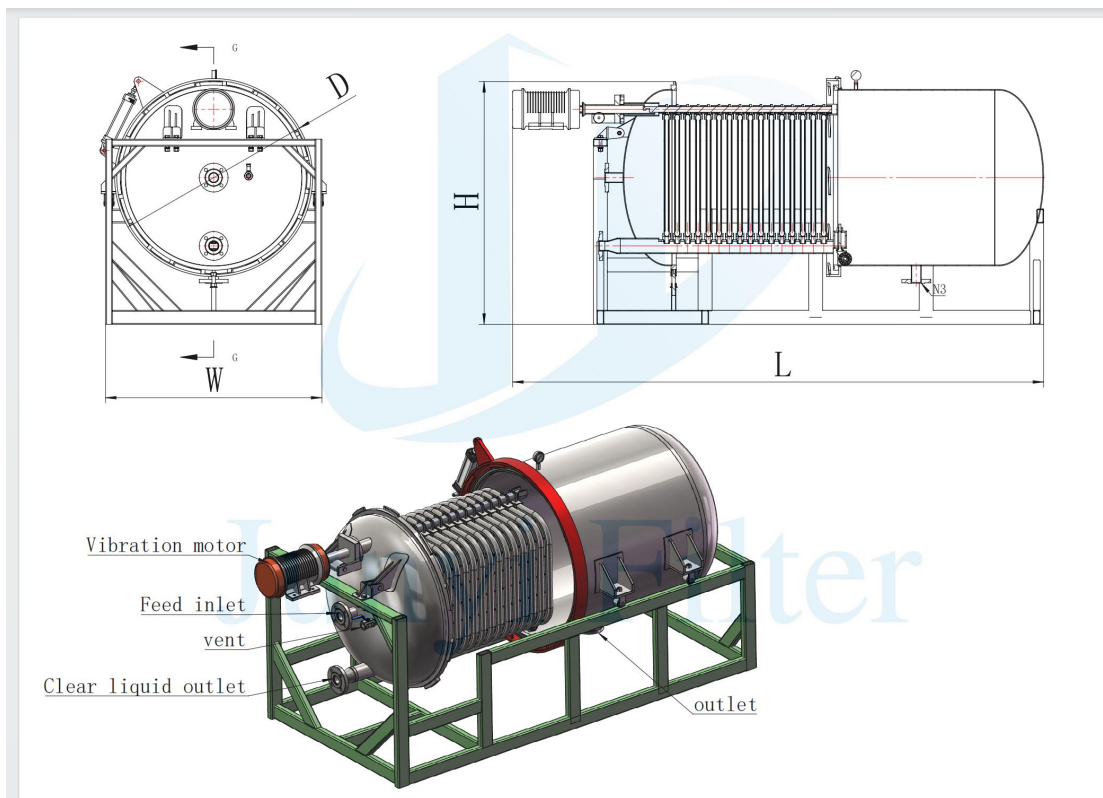
Blade filter selection parameters

Model	Filter area (m ²)	Filter cake volume (L)	Processing capacity (T/h)			Working pressure (Mpa)		Operating temperature (°C)	Cylinder volume (L)	total weight (kg)
			Grease	Resin	beverage	Rated pressure	Maximum pressure			
JYBL-2	2	30	0.4-0.6	1-1.5	1-3	0.1-0.4	0.5	≤150	120	300
JYBL-4	4	60	0.5-1.2	2-3	2-5				250	400
JYBL-7	7	105	1-1.8	3-6	4-7				420	600
JYBL-10	10	150	1.6-3	5-8	6-9				800	900
JYBL-12	12	240	2-4	6-9	8-11				1000	1100
JYBL-15	15	300	3-5	7-12	10-13				1300	1300
JYBL-20	20	400	4-6	9-15	12-17				1680	1700
JYBL-25	25	500	5-7	12-19	16-21				1900	2000
JYBL-30	30	600	6-8	14-23	19-25				2300	2500
JYBL-36	36	720	7-9	16-27	23-30				2650	3000
JYBL-40	40	800	8-11	21-34	30-38				2900	3200
JYBL-45	45	900	9-13	24-39	36-44				3200	3500
JYBL-52	52	1040	10-15	27-45	42-51				3800	4000
JYBL-60	60	1200	11-17	30-52	48-60				4500	5000
JYBL-70	70	1400	12-19	36-60	56-68				5800	5500
JYBL-80	80	1600	13-21	40-68	64-78	7200	6000			
JYBL-90	90	1800	14-23	43-72	68-82	7700	6500			

Blade filter application industries

- 1 Petroleum and chemical industry: diesel, lubricants, white oil, transformer oil, polyether
- 2 Base oils and mineral oils: Dioctyl ester, Dibutyl ester
- 3 Fats and oils: crude oil, gasified oil, winterised oil, bleached each
- 4 Foodstuffs: gelatine, salad oil, starch, sugar juice, monosodium glutamate, milk, etc.
- 5 Pharmaceuticals: hydrogen peroxide, vitamin C, glycerol, etc.
- 6 Paint: varnish, resin paint, real paint, 685 varnish, etc.
- 7 Inorganic chemicals: bromine, potassium cyanide, fluorite, etc.
- 8 Beverages: beer, juice, liquor, milk, etc.
- 9 Minerals: coal chips, cinders, etc.
- 10 Others: air and water purification, etc.

Dimension Drawing of



Blade filter outline dimension parameter table

Model	Barrel diameter	Filter spacing	Import and export	Overflow port	Length (mm)	Width (mm)	Height (mm)
JYBL-2	Φ400	40	DN25	DN25	1550	700	800
JYBL-4	Φ500	40	DN40	DN25	1800	800	900
JYBL-7	Φ600	40	DN40	DN25	2200	900	1000
JYBL-10	Φ800	60	DN50	DN25	2400	1100	1200
JYBL-12	Φ900	60	DN50	DN40	2500	1200	1300
JYBL-15	Φ1000	60	DN50	DN40	2650	1300	1400
JYBL-20	Φ1000	60	DN50	DN40	2950	1300	1400
JYBL-25	Φ1100	60	DN50	DN40	3020	1400	1500
JYBL-30	Φ1200	60	DN50	DN40	3150	1500	1600
JYBL-36	Φ1200	60	DN65	DN50	3250	1500	1600
JYBL-40	Φ1300	60	DN65	DN50	3350	1600	1700
JYBL-45	Φ1300	60	DN80	DN50	3550	1600	1700
JYBL-52	Φ1400	65	DN80	DN50	3670	1700	1800
JYBL-60	Φ1500	65	DN80	DN50	3810	1800	1900
JYBL-70	Φ1600	70	DN80	DN50	4500	1900	2000
JYBL-80	Φ1750	70	DN80	DN50	4500	2050	2150
JYBL-90	Φ1850	70	DN80	DN50	4650	2150	2250

Tel. +86 021-51863216 +86 13916593699

Email. junyifilter@junyigl.com

Address: Shanghai China

Shanghai Junyi filtration equipment Co., LTD