



Automatic slag filter Stainless steel candle filter

Product Description

Candle filters have multiple tube filter element inside the single unit, which will have a certain pressure difference after filtration. After draining the liquid, the filter cake is unloaded by backblowing and the filter element can be reused. It has a wide range of applications, airtight operation, large filtration area, strong dirt-holding capacity, and cake blowback. In addition, it is usually applied to special filtration occasions such as high impurity content, high precision requirement, high viscosity, high temperature, strong acid and alkali.

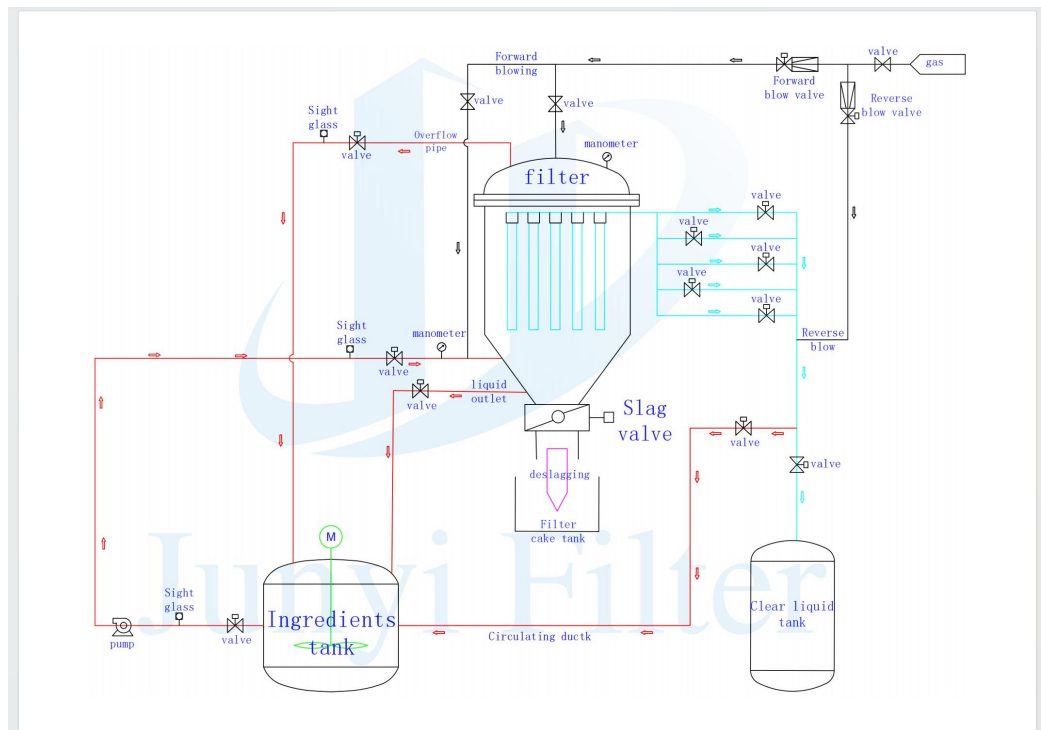


Product Features

- 1、 A completely sealed, high safety system with no rotating mechanical moving parts (except for pumps and valves);
- 2、 Fully automatic filtration;

- 3、 Simple and modular filter elements;
- 4、 The mobile and flexible design meets the requirements of short production cycles and frequent batch production;
- 5、 Aseptic filter cake can be realized in the form of dry residue, slurry and re-pulping to be discharged into an aseptic container;
- 6、 Spray washing system for greater savings in the consumption of washing liquid.
- 7、 Nearly 100 per cent recovery of solids and liquids, ensuring batch filtration integrity.
- 8、 Candle filters can be easily cleaned in-line and all parts can be disassembled for inspection;
- 9、 Simple filter cake washing, drying and unloading;
- 10、 In-line sterilisation by steam or chemical methods in steps;
- 11、 The filter cloth is perfectly matched to the nature of the product;
- 12、 It can be used in the production of free granule injections;
- 13、 All sanitary fittings are sealed with O-rings to comply with pharmaceutical production quality flange requirements;
- 14、 The activated carbon filter is equipped with a sterile pump and instrumentation.

Feeding Process



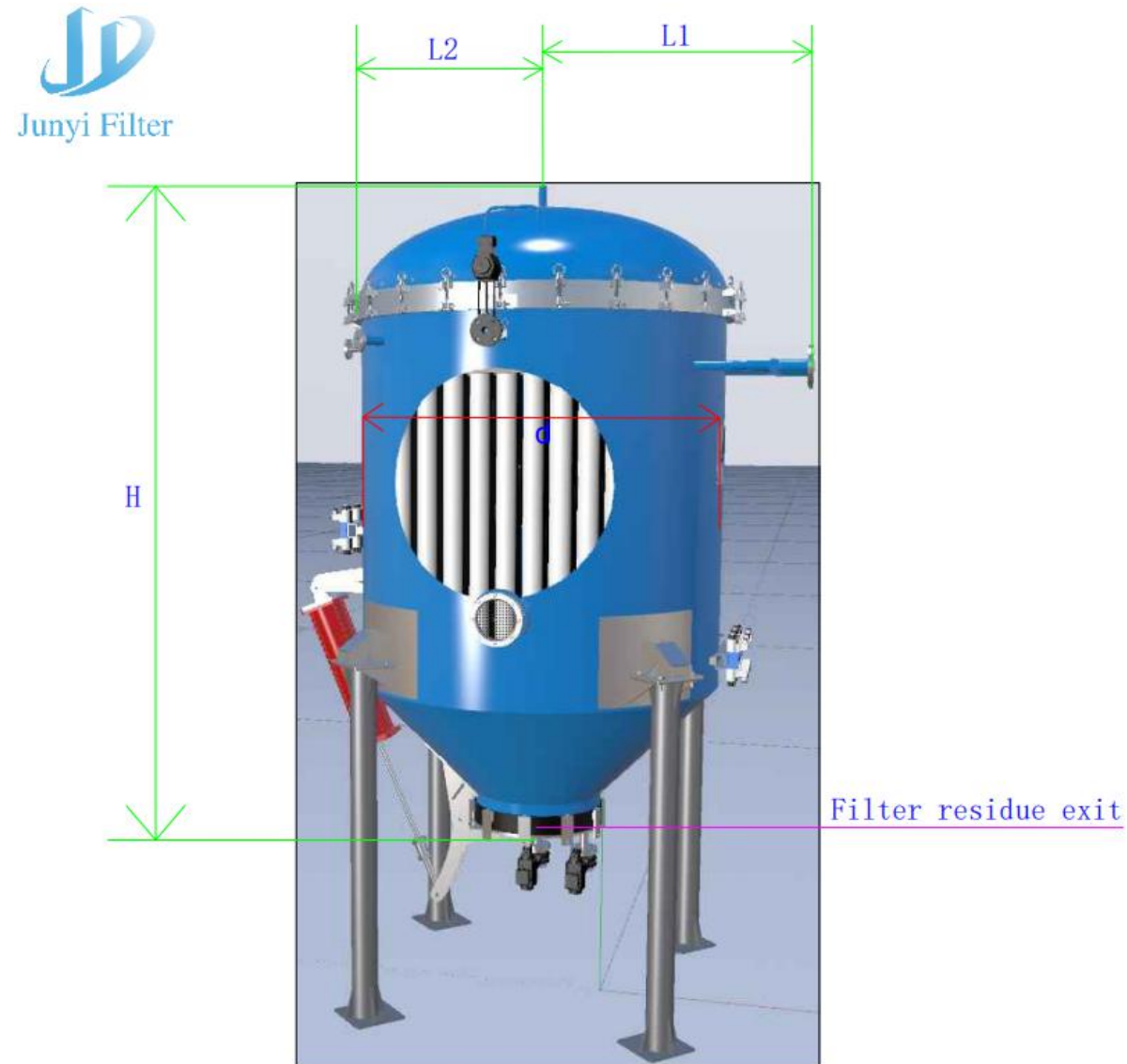
Application industries

Applicable industries: petrochemicals, beverages, fine chemicals, oils and fats, water treatment, titanium dioxide, electric power, polysilicon and so

on.

Applicable fluids: resin, recycled wax, cutting oil, fuel oil, lubricating oil, machine cooling oil, transformer oil, bone glue, gelatin, citric acid, syrup, beer, epoxy resin, polyglycol, etc.

Dimension Drawing of Automatic slag filter Stainless steel candle filter



Model Parameter	JY-C F-2.5	JY-C F-5	JY-C F-10	JY-C F-15	JY-C F-20	JY-C F-30	JY-CF -40	JY-C F-50	JY-C F-60	JY-C F-80	JY-C F-100	JY-CF -120
Diameter	600	800	1000	1200	1200	1400	1400	1600	1800	2000	2200	2400
Slag Valve Dimension	200	250	300	350	350	400	500	500	500	600	600	600
Filter Area	2.5	5	10	15	20	30	40	50	60	80	100	120
Filter Cake Volume	12.5- 75L	25- 150 L	50-3 00L	75-4 50L	100-6 00L	150-9 00L	200-1 200L	250-1 500L	300-1 800L	400-2 400L	500-3 000L	600-3 600L
Standard filter cartridge specifications	Φ80 * 1000	Φ80 * 1000	Φ80 * 1500	Φ80 * 1500	Φ80 * 2000	Φ80 * 2000	Φ80 * 2500	Φ80 * 2500	Φ80 * 2500	Φ80 * 2500	Φ80 * 2500	Φ80 * 2500
Cartridge Number	9	19	28	44	44	65	65	80	100	130	165	195
H (Total Height)	2850	3030	3875	3990	4490	4700	5200	5870	5950	6045	6215	6460
L1	750	1050	1200	1300	1300	1400	1400	1500	1650	1650	1700	1800
L2	550	650	800	900	900	1000	1000	1110	1300	1300	1400	1500
Weight(kg)	650	900	1550	1950	2120	3300	3600	4750	5900	7500	9650	11600
Volume(m ³)	0.5	0.9	1.9	3.2	3.8	4.8	5.6	7.5	9.5	13.3	16.5	20

Tel. +86 021-51863216 +86 13916593699

Email. junyifilter@junyigl.com

Address: Shanghai China

Shanghai Junyi filtration equipment Co., LTD

