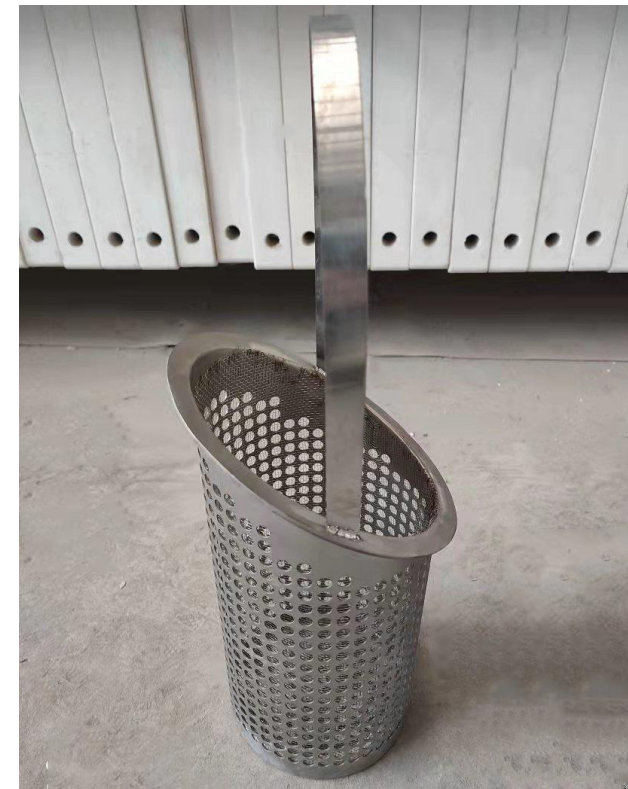


Stainless steel basket filter Pipe filter

Product Description

Mainly used on pipes for filtering oil or other liquids, thus filtering impurities from the pipes (in a confined environment). The area of its filter holes is 2-3 times larger than the area of the through-bore pipe. In addition, it has a different filter structure than other filters, shaped like a basket. The main function of the equipment is to remove large particles (coarse filtration), purify the fluid, and protect critical equipment (installed in front of the pump to reduce damage to the pump).



Product Features

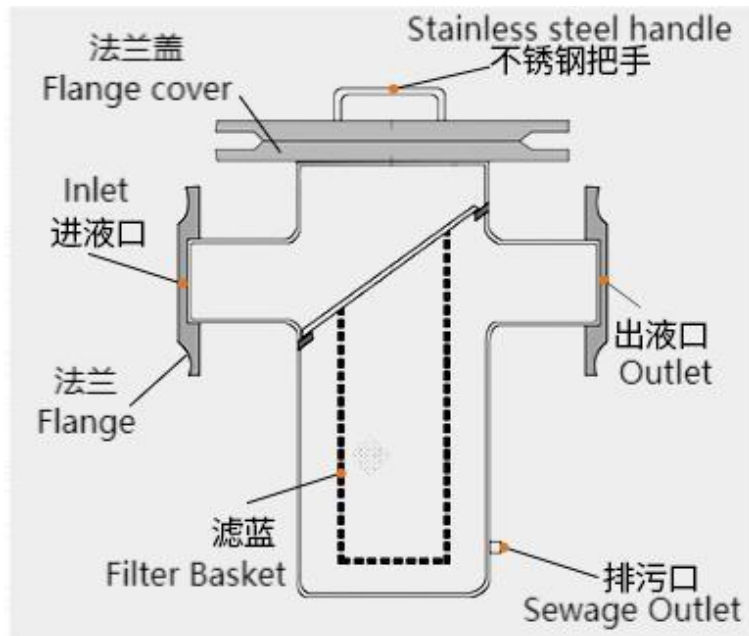
- 1 High filtering precision, according to customer needs to configure the fine degree of the filter.
- 2 The working principle is simple, the structure is not complicated, and it is easy to install, disassemble and maintain.
- 3 Less wearing parts, no consumables, low operation and maintenance costs, simple operation and management.

- 4 The stable production process can protect instruments and mechanical equipment and maintain the safety and stability of production.
- 5 The core part of the filter is the filter core, which is composed of a filter frame and stainless steel wire mesh.
- 6 The shell is made of carbon (Q235B), stainless steel (304, 316L) or duplex stainless steel.
- 7 Filter basket is made of stainless steel (304).
- 8 The sealing material is made of polytetrafluoroethylene or butadiene rubber.
- 9 The equipment is large particle filter and adopts repeatable filter material, manual regular cleaning.
- 10 The suitable viscosity of the equipment is (cp)1-30000; The suitable working temperature is -20°C -- $+250^{\circ}\text{C}$; Nominal pressure is 1.0-- 2.5Mpa.

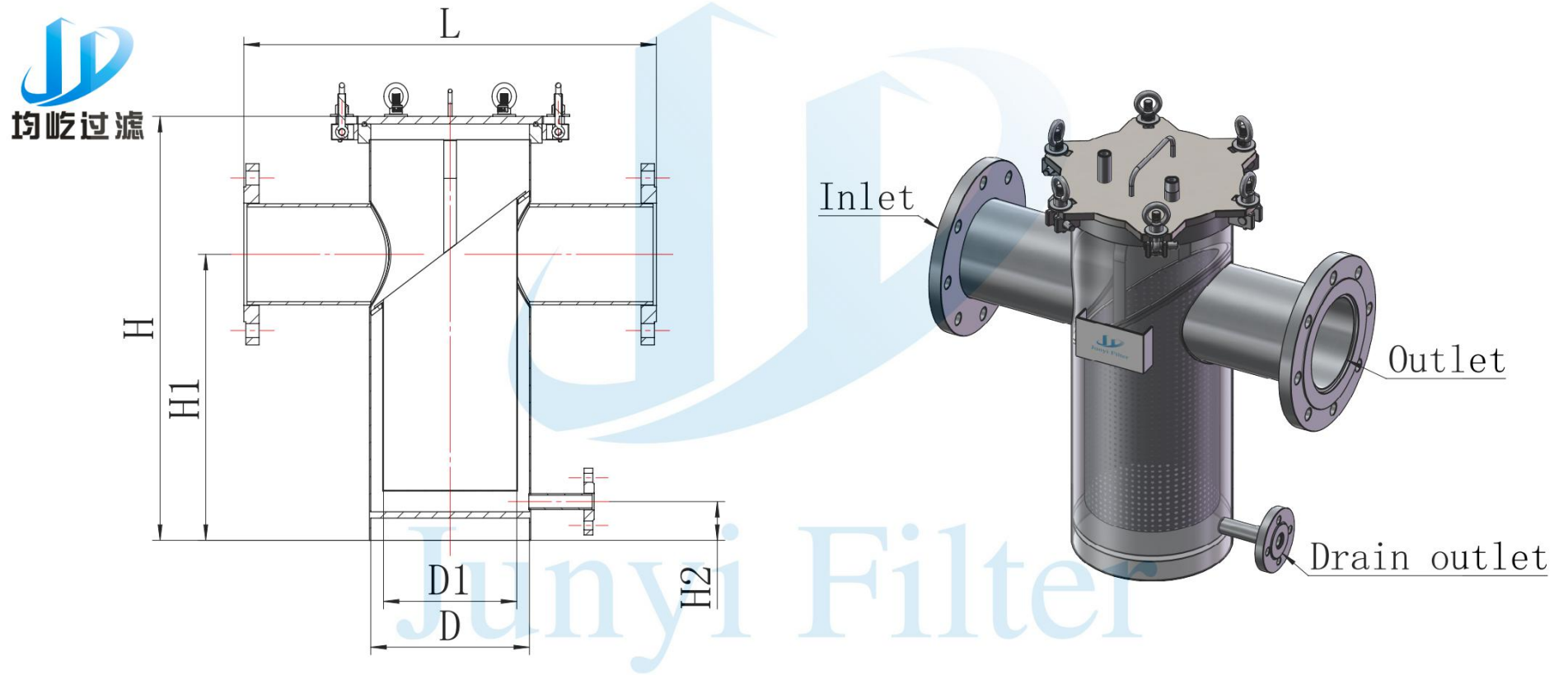
Application industries

The application scope of this equipment is petroleum, chemical, pharmaceutical, food, environmental protection, low temperature materials, chemical corrosion materials and other industries. In addition, it is mainly suitable for liquids containing various trace impurities and has a wide range of applicability.

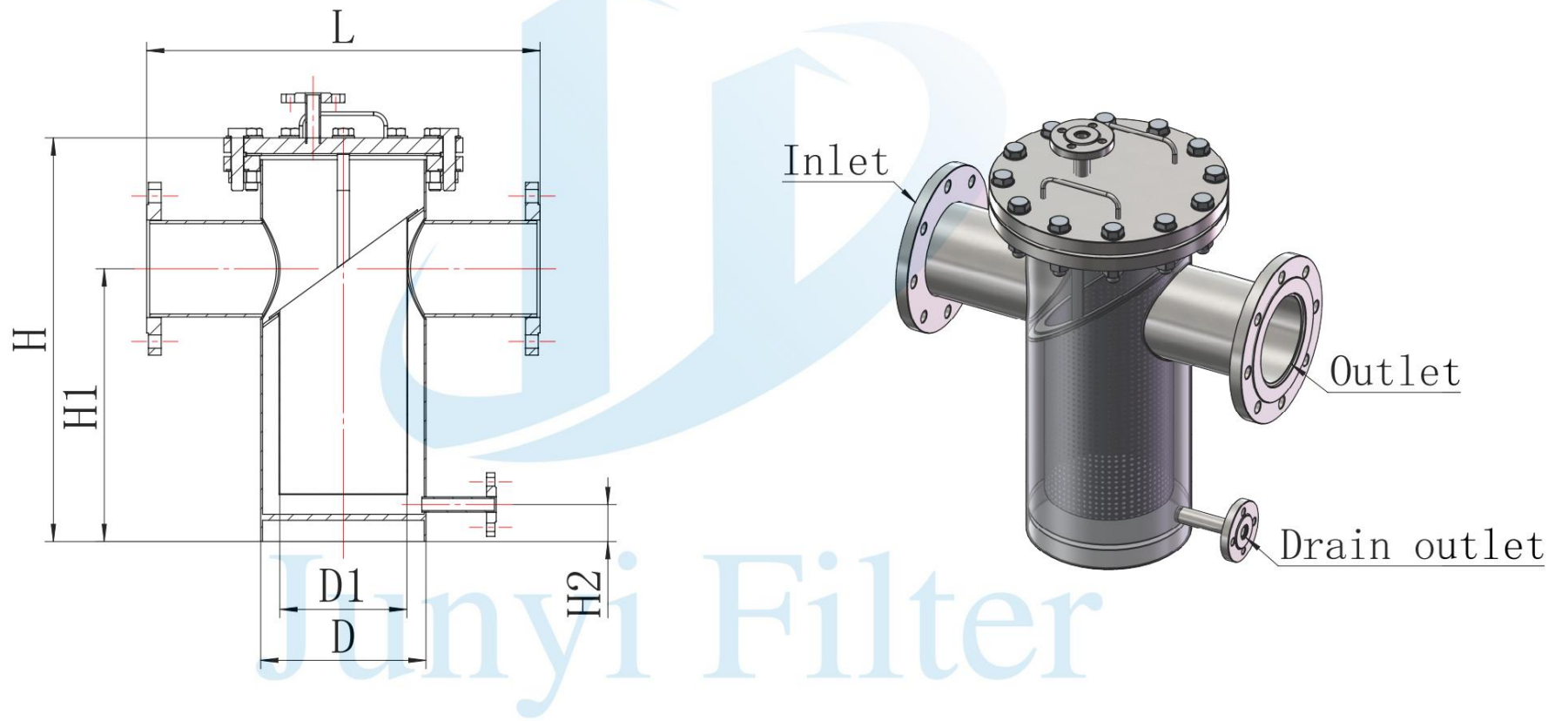
Feeding Process



Dimension drawing of stainless steel basket filter pipe filter



Hanging ring type basket filter



Flange type basket filter

Model	In/Out Calibre	L(mm)	H(mm)	H1(mm)	D0(mm)	Sewage Outlet
JSY-LSP25	25	220	260	160	Φ130	1/2"
JSY-LSP32	32	230	270	160	Φ130	1/2"
JSY-LSP40	40	280	300	170	Φ150	1/2"
JSY-LSP50	50	280	300	170	Φ150	3/4"
JSY-LSP65	65	300	360	210	Φ150	3/4"
JSY-LSP80	80	350	400	250	Φ200	3/4"
JSY-LSP100	100	400	470	300	Φ200	3/4"
JSY-LSP125	125	480	550	360	Φ250	1"
JSY-LSP150	150	500	630	420	Φ250	1"
JSY-LSP200	200	560	780	530	Φ300	1"
JSY-LSP250	250	660	930	640	Φ400	1"
JSY-LSP300	300	750	1200	840	Φ450	1"
JSY-LSP400	400	800	1500	950	Φ500	1"
Larger sizes are available on request.						

Tel. +86 021-51863216 +86 13916593699

Email. junyifilter@junyigl.com

Address: Shanghai China

Shanghai Junyi filtration equipment Co., LTD

