

## Automatic Self Cleaning Filter

### Product Description

Automatic self-cleaning filter is mainly composed of a drive part, an electric control cabinet, a control pipeline (including a differential pressure switch), an high strength filter screen, a cleaning component (brush type or scraper type), connection flange, etc. It is usually made of SS304, SS316L, or carbon steel.

### Application industries

Self-cleaning filter is mainly suitable for fine chemical industry, water treatment system, paper making, automotive industry, petrochemical industry, machining, coating and other industries.



## Working principle

When the liquid is pumped into the filter machine, the impurities are intercepted by filter mesh, the filtrate passes through the filter mesh and out of the machine.

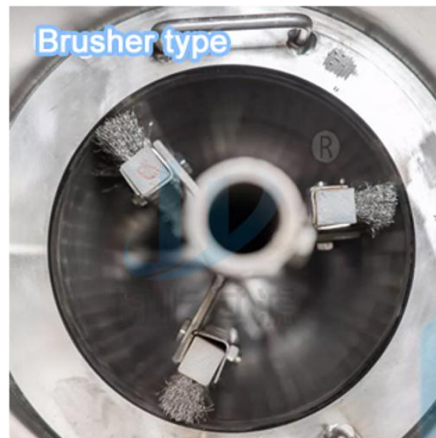
Once the pressure difference between inlet and outlet of the filter machine reaches the set value or the timer reaches the set time, motor runs to rotate the brush/scrapper for cleaning, and the drain valve opens at the same time. The impurity particles on the filter mesh are brushed by the rotating brush/scrapper, then discharged from the drain outlet.

In the whole process, the filtrate does not stop flowing, realizing continuous and automatic production.

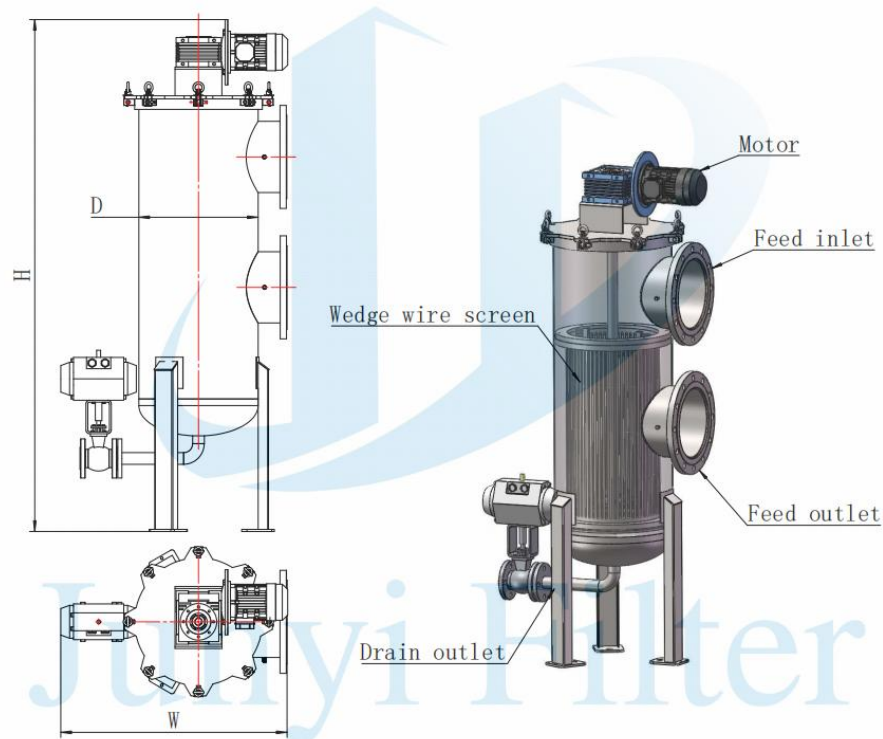


## Product Features

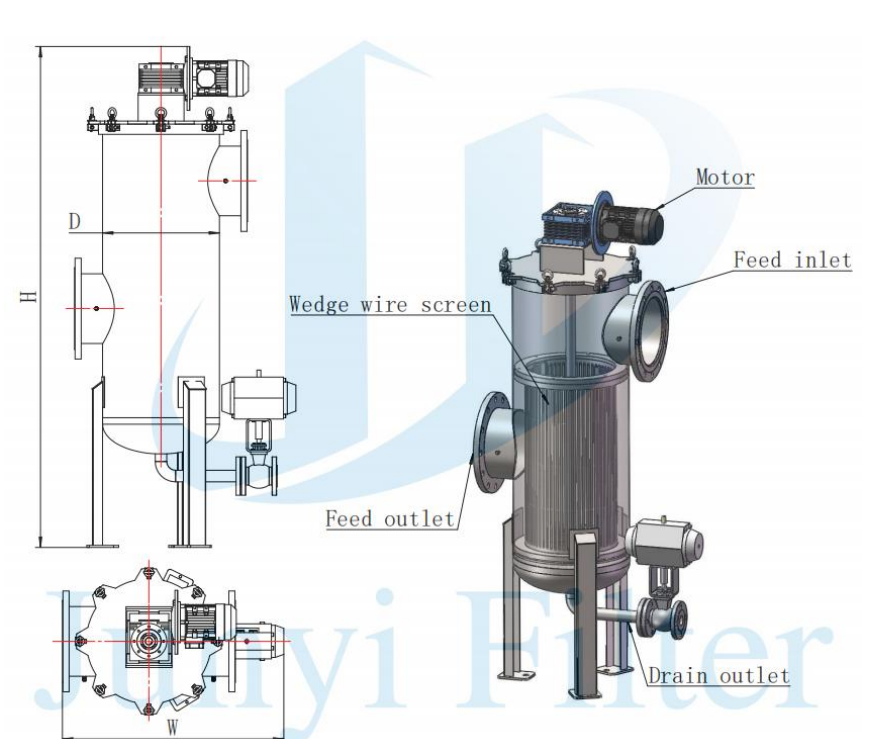
1. The control system of the equipment is responsive and accurate. It can flexibly adjust the pressure difference and time setting value according to different water sources and filtration accuracy.
2. The filter element adopts stainless steel wedge wire mesh, high strength, high hardness, wear and corrosion resistance, easy to clean. Easily and thoroughly remove impurities trapped by the filter screen, cleaning without dead corners.
3. We use pneumatic valve, open and close automatically and the draining time can be set.
4. The structure design of the filter equipment is compact and reasonable, and the floor area is small, and the installation and movement are flexible and convenient.
5. The electric system adopts integrated control mode, which can realize remote control too.
6. The modified equipment can ensure filtration efficiency and long service life.



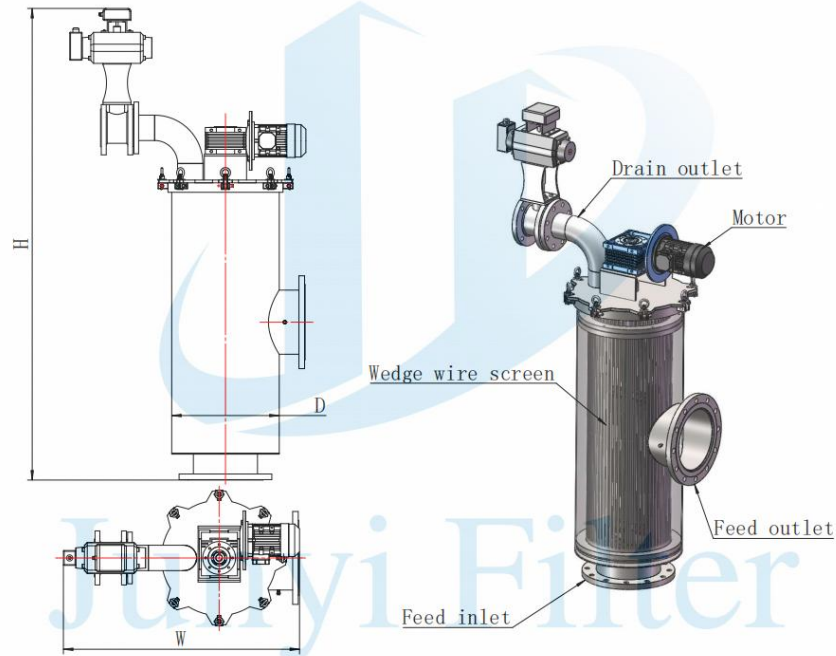
Side in + same side out self-cleaning filter



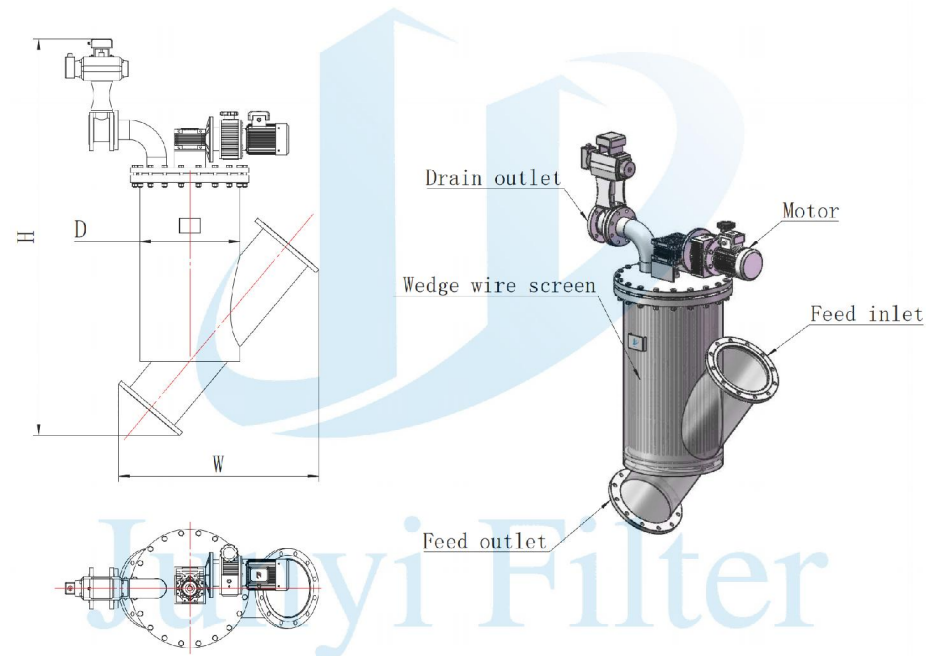
Side in + other side out self-cleaning filter



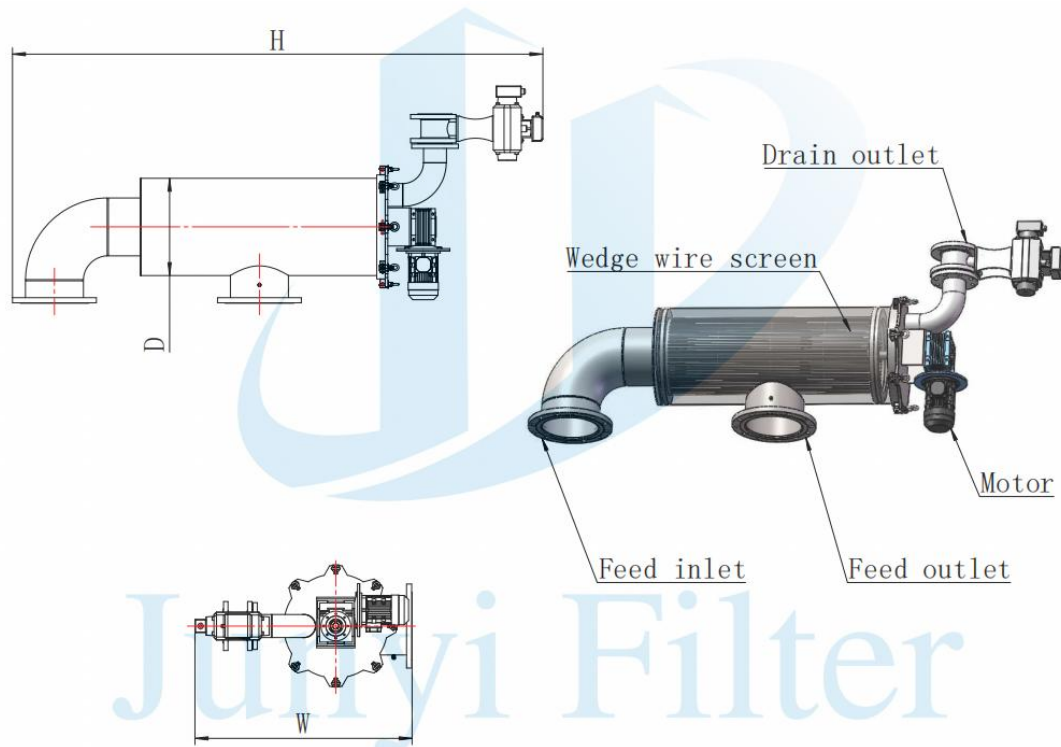
**Bottom in + side out self-cleaning filter**



**Y type self-cleaning filter**



**Horizontal type self-cleaning filter**



Note: Above drawings for reference, we accept customization.



Technical Parameter

Model	Flow rate m <sup>3</sup> /h	In/Out Calibre	Blow-down Calibre	Barrel Diameter	W(mm )	H(mm)	Filter Flow (t/h)	Filter area (cm <sup>2</sup> )	Blow-down Valve (mm)	One wash Valve (kg)	Motor power (KW)
JYSCF-50	20	DN50	DN25	219	550	1060	25	2750	DN25	60	0.55
JYSCF-65	30	DN65	DN25	273	550	1060	30	2750	DN25	60	0.55
JYSCF-80	40	DN80	DN25	273	550	1060	50	2750	DN25	60	0.75
JYSCF-100	60	DN100	DN50	273	550	1060	80	2750	DN25	60	0.75
JYSCF-125	100	DN125	DN50	273	550	1060	120	2750	DN40	150	1.1
JYSCF-150	150	DN150	DN50	325	750	1335	160	6000	DN40	150	1.1
JYSCF-200	250	DN200	DN50	377	750	1335	300	6000	DN50	200	1.5
JYSCF-250	400	DN250	DN50	426	750	1335	450	6000	DN50	200	1.5
JYSCF-300	500	DN300	DN50	529	750	1335	650	6000	DN50	200	1.5
JYSCF-350	750	DN350	DN80	529	890	1800	900	12000	DN65	350	2.2
JYSCF-400	1000	DN400	DN80	600	890	1800	1200	12000	DN65	350	2.2
JYSCF-450	1200	DN450	DN100	600	1205	1975	1500	15000	DN65	350	2.2
JYSCF-500	1500	DN500	DN100	700	1205	1975	2000	15000	DN65	350	3.0
JYSCF-600	2100	DN600	DN100	800	1302	2000	2800	18000	DN65	350	3.0
JYSCF-700	3000	DN700	DN200	900	1399	2050	3000	21000	DN65	350	3.0

Shanghai Junyi Filter Equipment Co., Ltd.

Tel. +86 021-51863216

Phone: +8613916993659

Email: junyifilter@junyigl.com

Address: Shanghai, China

Website: www.junyifilter.com